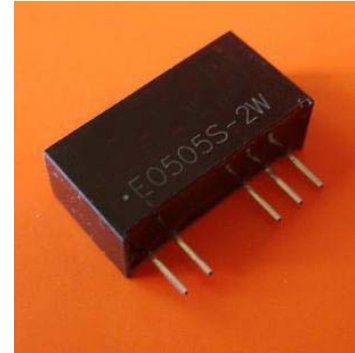


**Features:****SIP7 PACKAGE****Dual Output****Industrial Standard PIN-out****No Heat Sink Required****3000VDC Isolation****Fixed Input****Unregulated Output****PCB Mounted****Input Voltage: 5V/12/15/24 VDC****Output Voltage: 3.3/5/9/12/15/18/20VDC****Input Range: ±10%****Filter: Ceramic capacitor****OUTPUT SPECIFICATIONS**

Items:	Testing condition	Min	Typ	Max
Output Accuracy:	At full load and nominal Vin			±5%
Line Regulation:	For Vin change of 1%		-1.2%	+1.2%
Load Regulation:	From 20% to full load		-8%	8%
Ripple and Noise:	20MHz bandwidth			150 mV p-p
Temperature Drift:				±0.02 %/°C
Switching Frequency			100 KHz	
Short Circuit Protection	Momentary(<1S)			

All specifications measured at TA=25° C, humidity<75%, nominal input voltage and rated output load unless otherwise specified.

**COMMON SPECIFICATIONS**

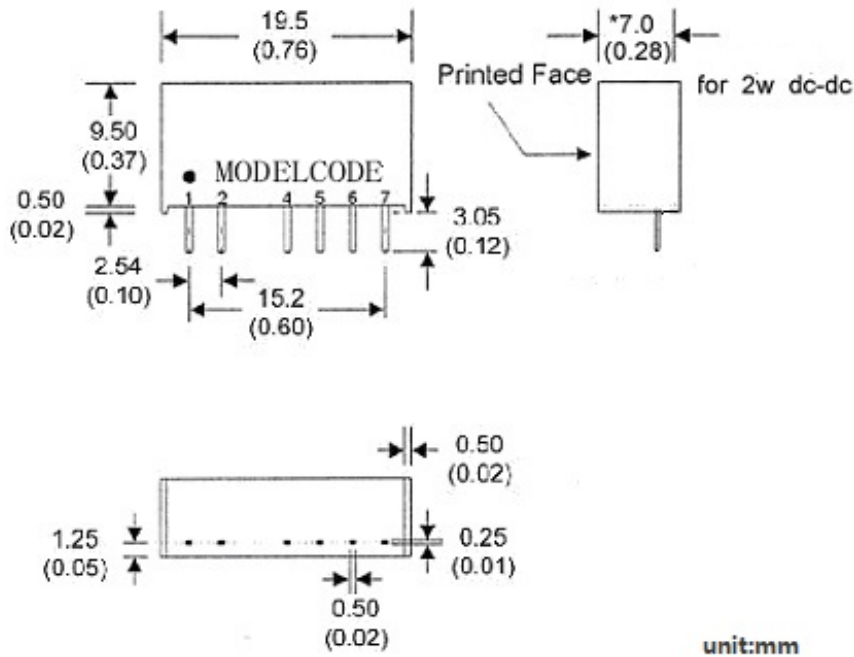
Items	Testing condition	Min	Typ.	Max
Operating temperature range		-40°C		+85°C
Storage temperature range		-55°C		+125°C
Humidity				<90%
Cooling	Free Air Convection			
Isolation voltage (VDC)	Input to Output		1,000	
Isolation resistance (ohms)			10 <sup>9</sup>	
Isolation capacitance (pF)			60	
Efficiency (%)	See Product List	72		79
Case material	Non-conductive black plastic			
Potting material	Epoxy Resin UL94-V0			
Packing material	Tube			
Dimension (mm / inch)(L*W*H)	SIP: 19.5*7.00*9.50 (0.76*0.28*0.37)			
Weight (g)	3			
MTBF (Hrs)	>1,000,000			

Part No.	Vin(VDC)	Iin (No-load)(mA)	Iin (Full-load)(mA)	Vout (VDC)	Iout (max.mA)	Eff. (%TYPE)
E0505S-2W	5	40	555	+/-5	+/-200	72
E1205S-2W	12	22	225	+/-5	+/-200	74
E1212S-2W	12	20	211	+/-12	+/-84	79
E1215S-2W	12	20	208	+/-15	+/-67	80
E2405S-2W	24	11	111	+/-5	+/-200	75
E2412S-2W	24	9	105	+/-12	+/-84	79
E2415S-2W	24	8	103	+/-15	+/-67	79

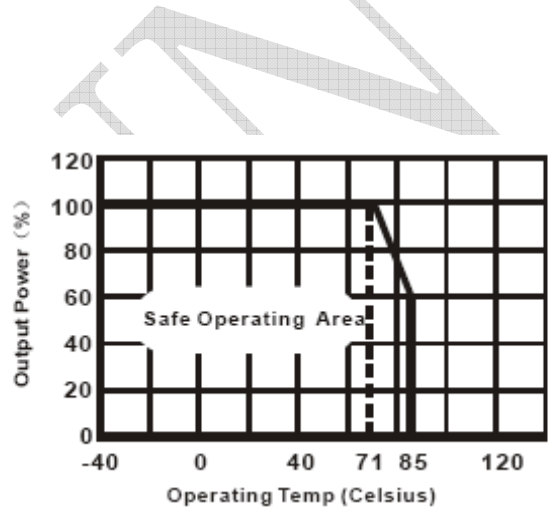
**PRODUCT LIST**

If need other input and output, please specified.

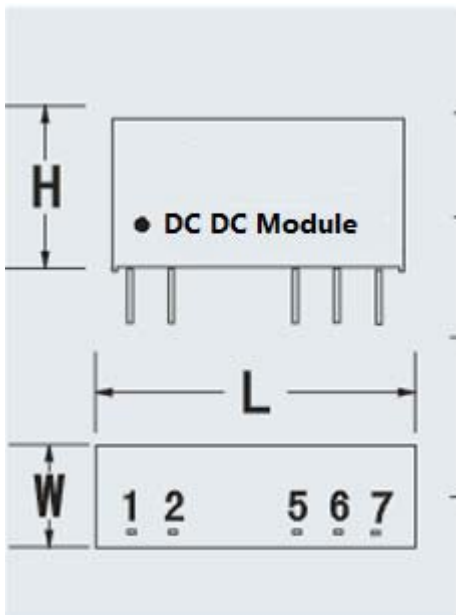
**PCB Diagram and Footprint Function**



**TEMPERATURE DERATING GRAPH**



unit:mm



PIN	Function	
1	+Vin	Input
2	GND	Input
3		No PIN
4		NO PIN
5	-Vo	Output
6	0V	Common
7	+Vo	Output

\* Design and specifications to change without notice.