

Features:**SIP7 PACKAGE****Single Output****Industrial Standard PIN-out****No Heat Sink Required****3000VDC Isolation****Fixed Input****Unregulated Output****PCB Mounted****Input Voltage: 5V/12/15/24 VDC****Output Voltage:3.3/5/9/12/15/18/24VDC****Input Range: ±10%****Filter: Ceramic capacitor****Size:19.6x7.00x10.00mm****OUTPUT SPECIFICATIONS**

Items:	Testing condition	Min	Typ	Max
Output Accuracy:	At full load and nominal Vin			±5%
Line Regulation:	For Vin change of 1%			±1.2%
Load Regulation:	From 20% to full load			+/- 8 %
Ripple and Noise:	20MHz bandwidth			150 mV p-p
Temperature Drift:				±0.02 %/°C
Switching Frequency			125 KHz	
Short Circuit Protection	Momentary(<1S)			

All specifications measured at TA=25° C, humidity<75%, nominal input voltage and rated output load unless otherwise specified.

COMMON SPECIFICATIONS

Items	Testing condition	Min	Typ.	Max
Operating temperature range		-40°C		+85°C
Storage temperature range		-55°C		+125°C
Humidity				<90%
Cooling	Free Air Convection			
Isolation voltage (VDC)	Input to Output		3,000	
Isolation resistance (ohms)			10 ⁹	
Isolation capacitance (pF)			60	
Efficiency (%)	See Product List	70		85
Case material	Non-conductive black plastic			
Potting material	Epoxy Resin UL94-V0			
Packing material	Tube			
Dimension (mm / inch)(L*W*H)	SIP: 19.6*7.00*10.00 (0.77*0.28*0.39)			
Weight (g)	3~3.5			
MTBF (Hrs)	>1,000,000			

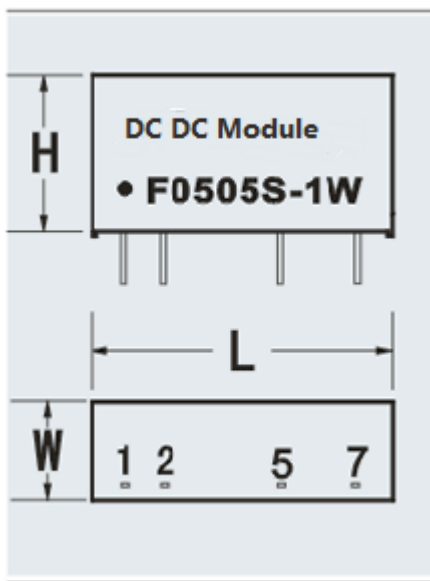
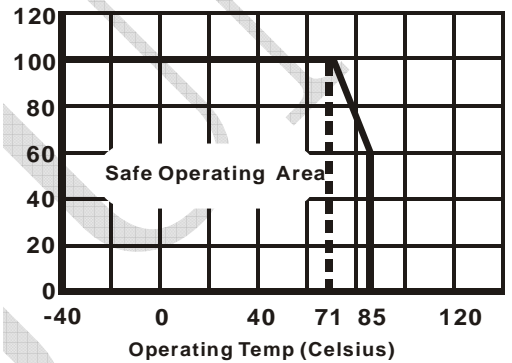
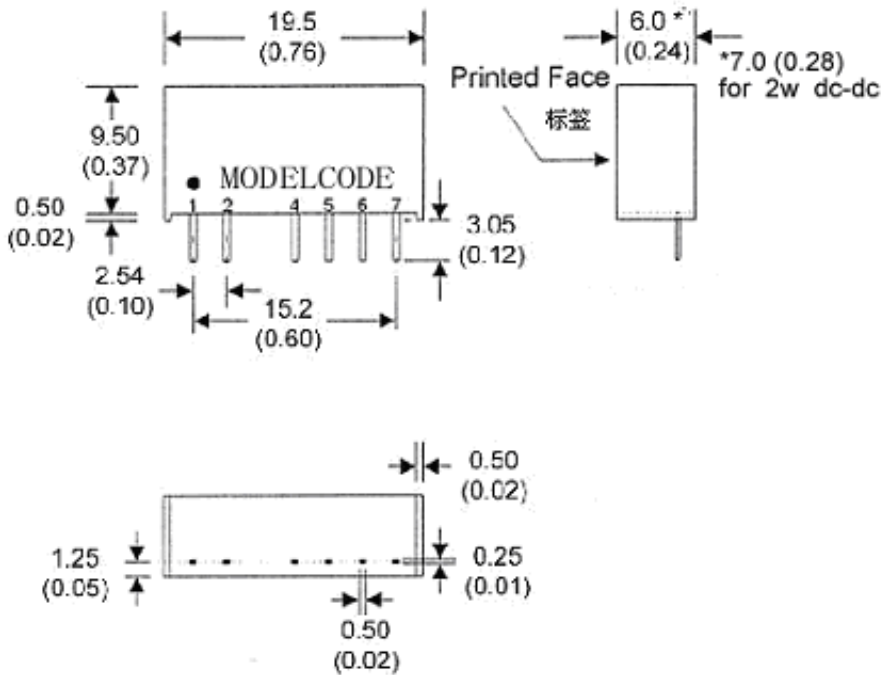
PRODUCT LIST

Part No.	Vin(VDC)	Iin (No-load)(mA)	Iin (Full-load)(mA)	Vout (VDC)	Iout (max.mA)	Eff. (%TYPE)
F0503S-2W	5	60	571	3.3	606	70
F0505S-2W	5	42	513	5	400	78
F0512S-2W	5	26	500	12	167	80
F1205S-2W	12	22	222	5	400	75
F1212S-2W	12	20	208	12	167	80
F1215S-2W	12	18	214	15	133	78
F2405S-2W	24	8	111	5	400	75
F2412S-2W	24	8	101	12	167	82
F2415S-2W	24	8	98	15	133	85

If need other input and output, please specified.

PCB Diagram and Footprint Function

TEMPERATURE DERATING GRAPH



PIN	Function	
1	+Vin	Input
2	GND	Input
3		NO PIN
4		NO PIN
5	0V	Common
6		NO PIN
7	+Vo	Output

* Design and specifications to change without notice.