

4-channel dry contact relay isolated board DI/DO Isolation

Part No.:WJ-RELAY01

Features:

- >>4-channel dry contact input,4-channel dry contact output
- >> Input/output: relay isolation
- >> Auxiliary power supply:24VDC
- >> Every channel has a LED status indicator,which is connected to light
- >> Relay load capacity:2A 30VDC or 1A 125VAC
- >> Fixed hole all around
- >> Size: 57.0x54.0x12.0mm



Product introduction:

WAYJUN relay module WJ-RELAY01 is the electrical control cabinet of a single small power relay to be integrated, series, reducing the intermediate link, improve the product performance, widely used in DI or DO isolation. The product conforms to the development trend of miniaturization, integration, is a substitute for single relay updates. Also products can be designed according to different numerical control system, but also can meet the needs of modern CNC machine tools.

Connect the power supply, when the input IN1 is connected, the corresponding OUT1 is connected; otherwise, when the input IN1 is disconnected, the corresponding OUT1 is disconnected. Similar to other channels.

Limiting parameter:

Maximum power supply: 30VDC

Output maximum switching voltage: 240VAC / 120VDC

Output maximum switching current: 2A

Output switching power: 125VA / 60W

Note (1): in the condition of exceeding the limit, the product may cause damage, or affect the performance of the product. Power supply without anti - protection, please do not take back

General parameters:

Dry contact input:

Lead current:<20mA

Dry contact output:

Contact type: normally open type

Contact load capacity: 2A 30VDC / 1A 125VAC

Contact resistance: ≤50m.

Power supply voltage: 24V DC

Power: < 2W

Insulation resistance: 1000M Ω (500VDC)

Isolation voltage: 1500VAC/1 minutes

Working temperature: - 40 ~ +85 deg.C

Working Humidity: 5~ 85% (no condensation)

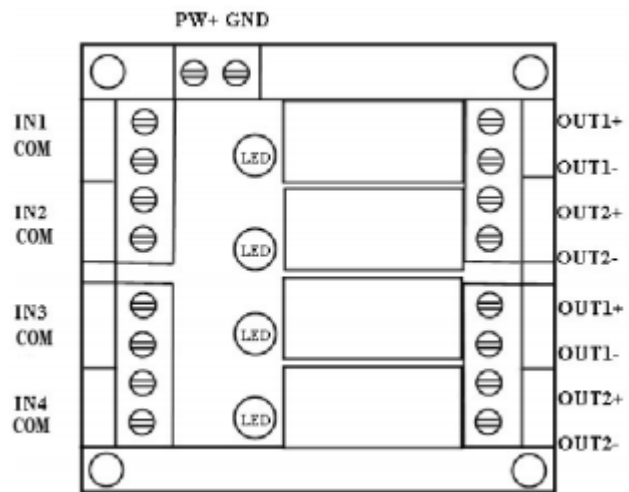
Storage temperature: - 40 ~ +85 deg.C

Storage humidity: 5~ 85% (no condensation)

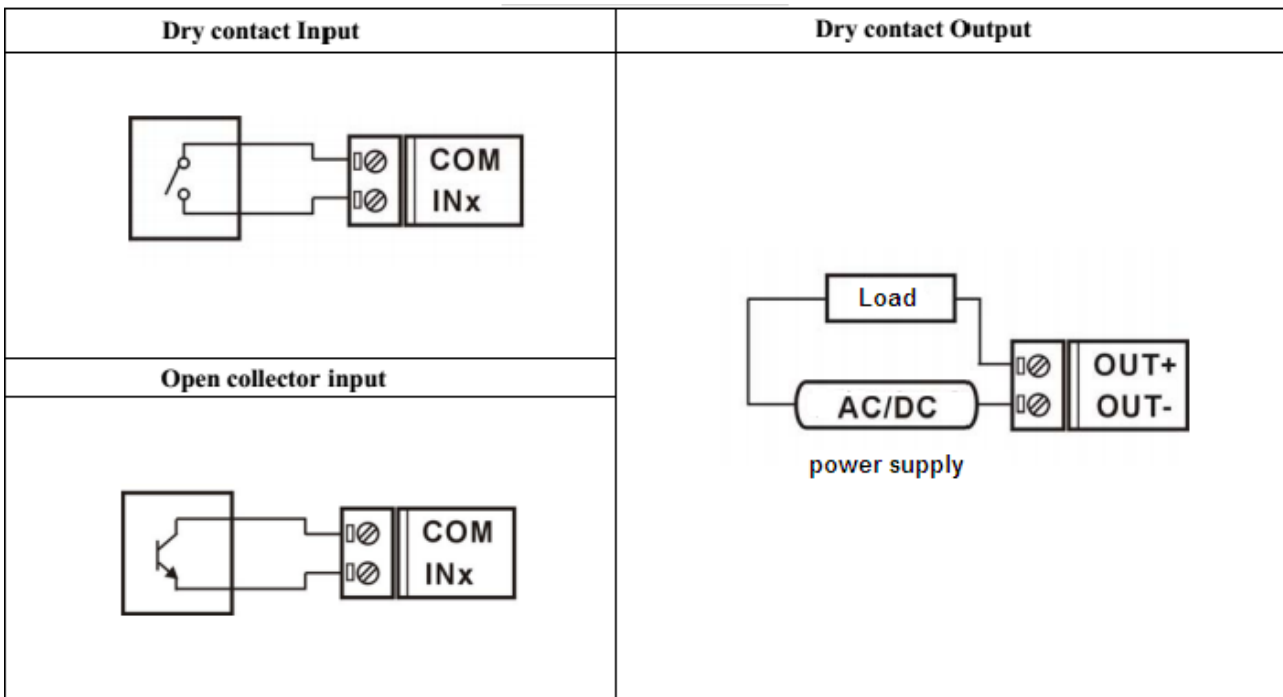
Footprint and wire diagram:

Name	Description	Name	Description
IN1	Channel 1 input	OUT1+	Channel 1 output +
COM	Input Common	OUT1-	Channel 1 output -
IN2	Channel 2 input	OUT2+	Channel 2 output +
COM	Input Common	OUT2-	Channel 2 output -
IN3	Channel 3 input	OUT3+	Channel 3 output +
COM	Input Common	OUT3-	Channel 3 output -
IN4	Channel 4 input	OUT4+	Channel 4 output +
COM	Input Common	OUT4-	Channel 4 output -
PW+	Power supply+		
GND	Power supply-		

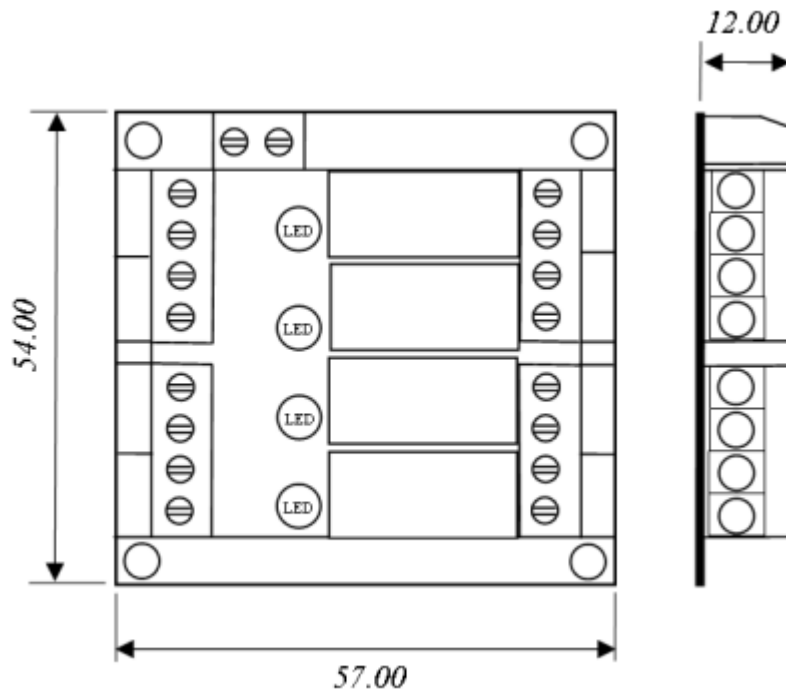
Connect the power supply, when the input IN1 is connected, the corresponding OUT1 is connected.
 otherwise, when the input IN1 is disconnected, the corresponding OUT1 is disconnected.
 Similar to other channels.



Dry contact input and output wiring diagram



Size (unit:mm)



Note:

1. Before using, according to packing lists, and product labels, check the quantity, models and specifications
2. When measure the signal directly, please set the terminal tighten
3. There are no damaged insulation, conductive dust and corrosive fumes of metal in the environment
4. Installation pitch $\geq 10\text{mm}$
5. We have adjusted well, do not adjust arbitrarily
6. Two years warranty. But if clients damage products by themselves or tear off any labels on the product, we can not exchange
7. Products can not been used in strong magnetic field
8. Internal no anti-lightning circuit
9. Specifications subject to change without notice