

DIN Rail 4-20mA Passive Signal Isolator

Features:

- >>Accuracy Grade:0.1/0.2/0.5
- >>International standard input current signal:0-10mA/0-20mA/4-20mA
- >> Standard current signal output:0-10mA/0-20mA/4-20mA
- >>High linearity (nonlinearity<0.2%)
- >>We have calibrated, the user can use directly.
- >>DIN35 Rail-mounted

Application:

- >>Analog signal data acquisition, isolation
- >>Industrial signal isolation
- >>Ground interference control
- >>No distortion in long-distance signal
- >>Equipment signal acquisition



Model Type:

Part No.	Input Signal	Power Supply	Output Signal
DIN11 IAP0-10mA	0-10mA	None	0-10mA
DIN11 IAP0-20mA	0-20mA	None	0-20mA
DIN11 IAP4-20mA	4-20mA	None	4-20mA

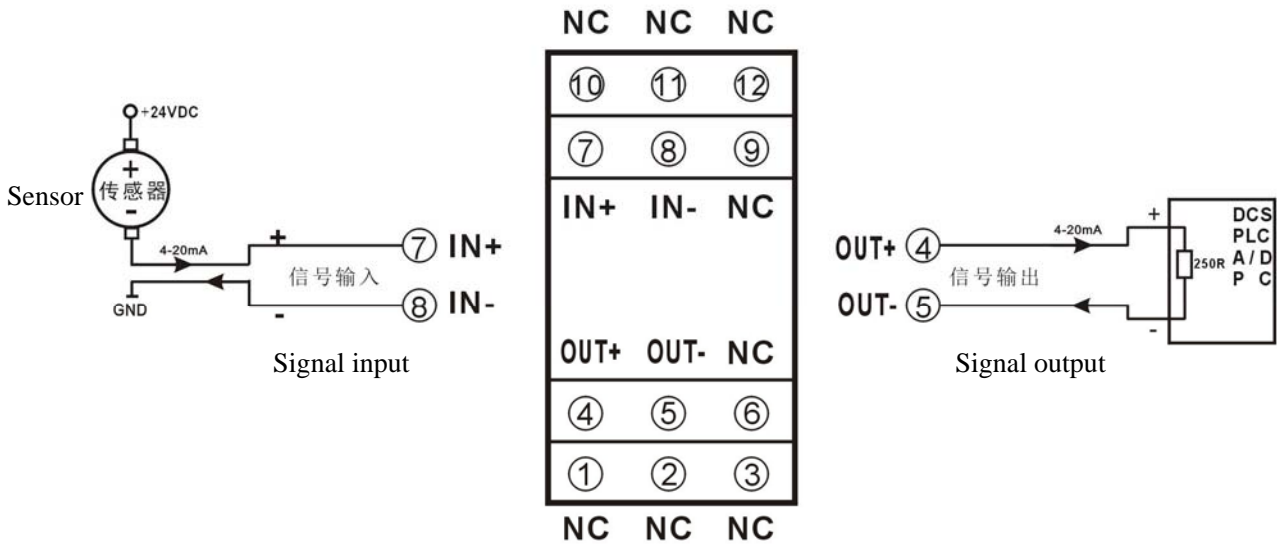
General Parameter:

Parameter	Condition	Min	Type	Max	Units
Isolation(Between input and output)			2500		VDC
Endure voltage	50Hz,1min.,leak current:1mA			3000	VDC
Operation Temperature		-25		+70	℃
Operation Humidity		10		90	%
Storage Temperature		-45		+80	℃
Storage Humidity		10		95	

Input Parameters			Output Parameters		
Signal	impedance	Over load capability	signal	Over load capability	Response time
0-10mA	TYP: 200Ω+RL	24mA	0-10mA	≈ 500Ω	1ms
0-20mA			0-20mA		
4-20mA			4-20mA		

Pin definition:

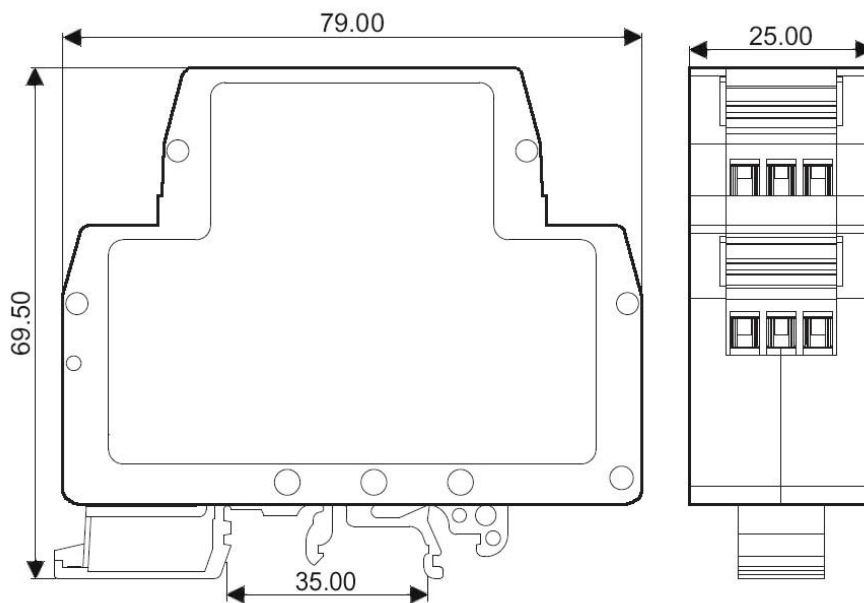
Pin	Name	Description	Pin	Name	Description
1	NC	No connect	7	IN+	Analog signal input positive
2	NC	No connect	8	IN-	Analog signal input negative
3	NC	No connect	9	NC	No connect
4	OUT+	Analog signal output positive	10	NC	No connect
5	OUT-	Analog signal output negative	11	NC	No connect
6	NC	No connect	12	NC	No connect



顶视图

Top view

外形尺寸: (单位: mm)



It can be mounted on standard DIN35 rail

Warranty

Two years (but violate operating rules and requirements to create damage, clients need pay maintenance costs)

Copyright

Copyright © 2016 **Shenzhen WAYJUN Industrial Automation**

Specifications subject to change without notice.

Brand

In this manual, mentioned other trademarks and copyright belongs to their respective owners.

Version: V1.2

Date: 04.09.2017