

DIN22 PT100 Temperature Signal Isolated Transmitter

Features:

- >> Two input: Pt100 (-200 ~ +600 °C) (scope optional)
Also can choose Pt1000/Cu50/Pt10/Cu100
- >> Two output signal: 4-20mA / 0-5V/0-10V standard signal
- >> Accuracy: 0.2 (FSR%)
- >> Containing linear and long-term compensation
- >> Power supply: 5V/12V/15V/24VDC
- >> Isolation voltage: 2500VDC (1mA, 60S)
- >> Five isolation: input 1/input 2/output 1/output 2/power supply
- >> Installation: DIN35 rail
- >> Industrial temperature range: - 45 ~ + 85 deg.C
- >> Size:106.7x79.0x25.0mm



Product description:

The product is isolated Pt100/PT1000/PT10/Cu50/Cu100 temperature sensor transmitter, in industry mainly used for measuring the temperature of -200 ~ +600deg.C. The transmitter has linear and long-term compensation, the factory in accordance with national standard Pt100 indexing table calibration, fully meets 0.2accuracy. Input 1,input 2, output 1, output 2 and auxiliary power supply is completely isolated (five isolation), can withstand 2500VDC isolation voltage. Products using international standards for rail mounting DIN35, small size, high precision, stable performance, cost-effective, can be widely used in petroleum, chemical, power, instrumentation and industrial control industries.

Product Listing:

DIN22 - Z□ - T□ - P□ - A/V□

Input Signal: Z		Range: T		Power Supply: P		Output Signal: A or V			
	Code	T	Code	P	Code	Current: A	Code	Voltage: V	Code
PT100	Z1	-20-100°C	T1	24VDC	P1	0-20ma	A3	0-5V	V1
PT10	Z2	0-100°C	T2	12VDC	P2	4-20ma	A4	0-10V	V2
Cu100	Z3	0-150°C	T3	5VDC	P3	User-defined	Au	1-5V	V6
Cu50	Z4	0-200°C	T4	15VDC	P4			User-defined	Vu
Pt1000	Z5	0-400°C	T5						
		User-defined	Tu						

Samples:

signal Input: Pt100,temperature range:0~100°C; signal output 1:4-20mA; signal output 2:4-20mA , power:24VDC

Part No.: **DIN22-Z1-T2-P1-A4**

signal Input: Pt1000,temperature range:0~200°C; signal output:0-10V; signal output:0-10V , power:12VDC

Part No.: **DIN22-Z5-T4-P2-V2**

General parameters:

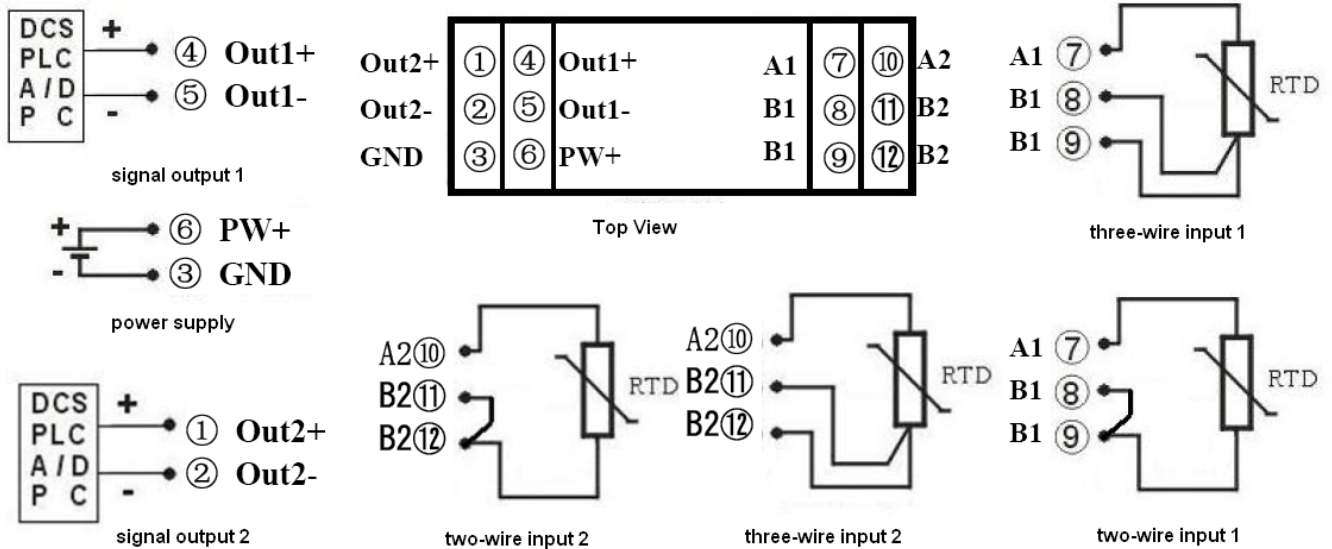
- >> Accuracy ----- 0.2% (relative to temperature)
- >> Input ----- three-wire, four-wire or two-wire RTD signal, you can choose Pt100, Pt1000, Pt10, Cu50, Cu100 thermal resistance.(Need to select a temperature range and a output signal)
- >> Output ----- standard voltage or current signal. Can also be user-defined

- >> Response time ----- $\leq 100\text{mS}$
- >> Auxiliary power ----- DC5V, 9V, 12V, 15V, 24V
- >> Power ----- $<2\text{W}$
- >> Temperature drift ----- $50\text{ppm} / ^\circ\text{C}$ (typical)
- >> Load capacity ----- voltage output: $\geq 2\text{ k}\Omega$
- >> Current output: $\leq 450\Omega$
- >> Isolation ----- input 1/input 2 / output 1 / output 2/ auxiliary power isolation
- >> Isolation voltage ----- 2500VDC, 1 minute, leakage current (1mA)
- >> Impact resistance voltage ----- 3KV, 1.2/50us (peak value)
- >> Operating Temperature ----- -40 to $+85\text{ }^\circ\text{C}$
- >> Storage Temperature ----- $-45 \sim +80\text{ }^\circ\text{C}$
- >> Operating Humidity ----- 10 ~ 90% (no condensation)
- >> Storage Humidity ----- 10 ~ 95% (no condensation)

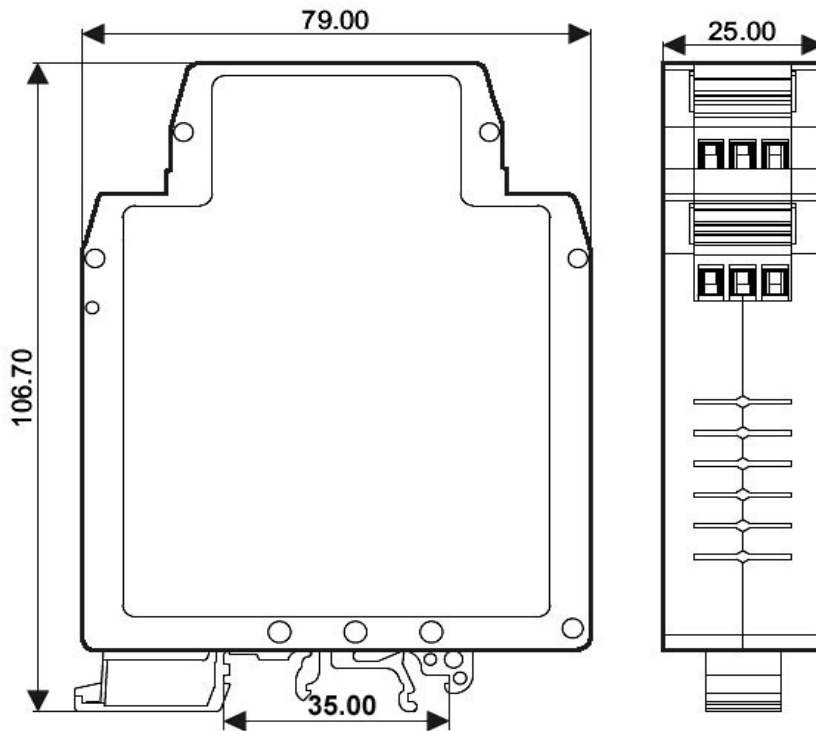
Products Connecting Diagram:

Pin	Function	Pin	Function
1	Out 2+	7	A1
2	Out 2-	8	B1
3	GND	9	B1
4	Out 1+	10	A2
5	Out 1-	11	B2
6	Vcc	12	B2

Wiring Diagram:



Size (unit:mm)



Warranty

Two years (but violate operating rules and requirements to create damage, clients need pay maintenance costs)

Copyright

Copyright © 2012 **Shenzhen WAYJUN Industrial Automation**

Specifications subject to change without notice.

Brand

In this manual, mentioned other trademarks and copyright belongs to their respective owners.

* Specifications subject to change without notice