

**PWM pulse width modulation signal input analog signal output isolated transmitter**

**Features:**

- >> Accuracy grade: 0.2/0.5. Factory calibrated, the user can use directly
- >> Auxiliary power supply: 5V/12V/15V/24VDC
- >> PWM pulse width modulation signal input:50Hz~100KHz
- >> International standard signal output: 0-5V / 0-10V/1-5V, 0-10mA / 0-20mA/4-20mA
- >> High linearity (non-linearity <0.2%)
- >> DIN35 rail mounting
- >> Size: 79.0x69.50.0x25.0mm
- >> Strong anti-electromagnetic interference and high-frequency signal interference capability

**Application:**

- >> Digital signal to analog signal,DA transform
- >> Isolated 4-20mA or 0-20mA signal transmission
- >> Signal isolation and conversion of industrial site
- >> PWM signal without distortion transmission
- >> Instrument signal transceiver
- >> Power monitoring, medical equipment isolation
- >> Ground interference suppression
- >> PLC / FA motor control signal isolation
- >> Pulse width measurement



**Products Listing:**

**DIN11 IAP – PWM□ - P□ - V/A□**

Signal input		Power		Signal output			
PWM signal	code	Power	code	current	code	voltage	code
50~99Hz	PWM1	24VDC	P1	0-20ma	A3	0~5V	V1
100Hz~900Hz	PWM2	12VDC	P2	4-20ma	A4	0-10V	V2
1KHz~9KHz	PWM3	5VDC	P3	User-defined	Az	1-5V	V6
10KHz~100KHz	PWM4	15VDC	P4			User-defined	Vz
User-defined	PWMz						

**Samples:**

- 1.Input signal:100Hz PWM    Power Supply:24VDC    Output Signal:4-20mA  
Type No.:DIN11 IAP-PWM2-P1-A4
- 2.Input signal:5KHz PWM    Power Supply:12VDC    Output Signal:0-10V  
Type No.:DIN11 IAP-PWM3-P2-V2
- 3.Input signal:20KHz PWM    Power Supply:24VDC    Output Signal:4-20mA  
Type No.:DIN11 IAP-PWM4-P1-A4

**Absolute maximum ratings:**

Continuous isolation voltage: 3000VDC

## Signal Isolators & Conditioners

Operating Temperature: +85°C

Storage Temperature: +150°C

Lead Temperature: +300°C (10 seconds)

Power supply voltage range: 10%Vin,if 5V,others 9~32VDC

Note: if the product is above the range, the product may cause permanent damage.

### General Parameters:

Name	Test Condition	Min.	Type	Max.	Units
Isolation Voltage	50Hz,1min.,leak current 1mA		2500		VDC
Isolation	Input/power supply/output				
Impact Voltage	3KV, 1.2/50us(peak value)				
Operation Temperature		-25		+70	°C
Operation Humidity	No condensation	10		90	%
Storage Temperature		-45		+80	°C
Storage Humidity		10		95	°C

### Input Parameters

Item	Response Time	Power loss	Input pulse voltage
50~99Hz	300ms	Vout< 0.6W Iout<1.5W	Low level:0 ~ 1.5V High level:4 ~ 30V Input impedance> 3KΩ
100Hz~900Hz	100mS		
1KHz~9KHz	10mS		
10KHz~100KH	10mS		

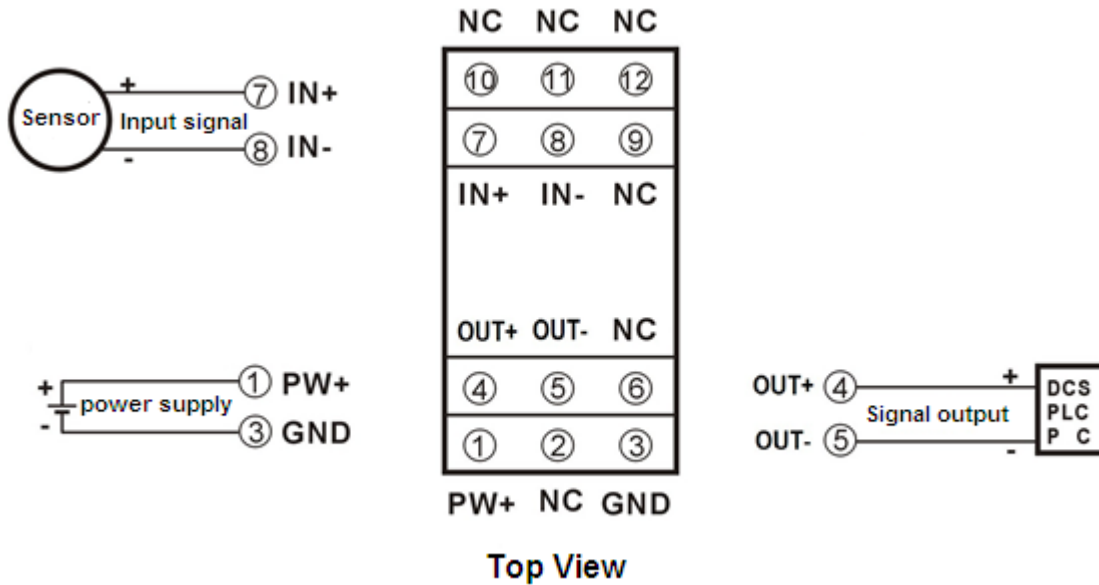
### Output Parameters

Out item	Out load capability	Response Time
4-20mA	load≤350Ω	≤1mS
0-20mA		
0-5V	≥2KΩ	
0-10V		
1-5V		

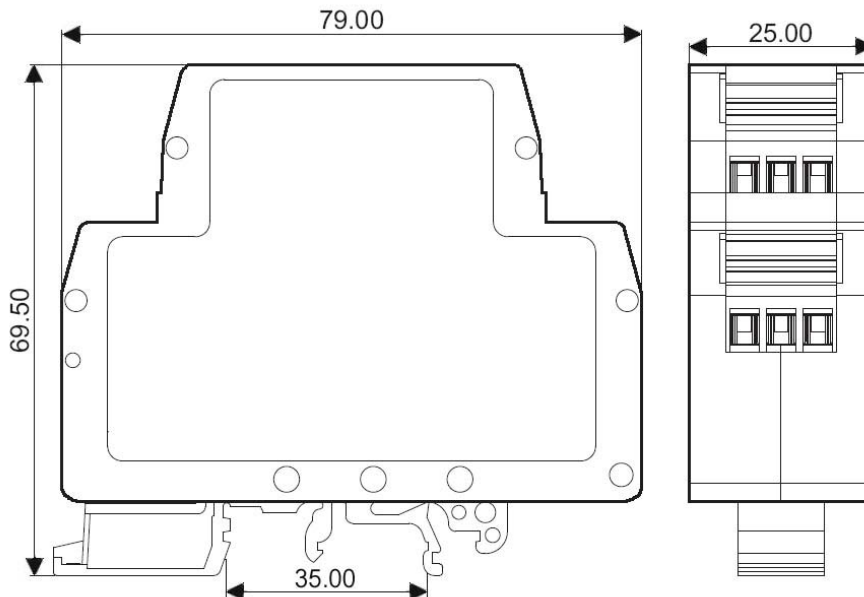
**Note:** If need other response time or output load, please specified

### Footprint and wire diagram:

PIN	Name	Description	PIN	Name	Description
1	PW+	Power supply+	7	IN+	PWM signal input+
2	NC	No connecting	8	IN-	PWM signal input-
3	GND	Power supply-	9	NC	No connecting
4	OUT+	Signal output+	10	NC	No connecting
5	OUT-	Signal output-	11	NC	No connecting
6	NC	No connecting	12	NC	No connecting



Size (unit:mm) DIN35 rail-mounted



**Note:**

1. Before using, according to packing lists, and product labels, check the quantity, models and specifications
2. When measure the signal directly, please set the terminal tighten
3. There are no damaged insulation, conductive dust and corrosive fumes of metal in the environment
4. Installation pitch  $\geq 10\text{mm}$
5. We have adjusted well, do not adjust arbitrarily
6. Two years warranty. But if clients damage products by themselves or tear off any labels on the product, we can not exchange
7. Products can not been used in strong magnetic field
8. Internal no anti-lightning circuit
9. Specifications subject to change without notice