

## Two wire 4-20mA loop powered RTD thermal resistance signal transmitter

### Features:

- >> One input: Pt100 (-200 ~ +600 °C) (scope optional)  
Also can choose Pt1000/Cu50/Pt10/Cu100
- >> One output: two-wire 4-20mA signal
- >> Accuracy: 0.2 (FSR%)
- >> Containing linear and long-term compensation
- >> 4-20mA loop powered, no need power supply
- >> Input/output Isolation voltage: 3000VDC (1mA, 60S)
- >> Two isolation: input/output
- >> Installation: DIN35 rail mounted
- >> Industrial temperature range: - 40 ~ + 85 deg.C
- >> Size: 79.0x69.5x25.0mm



### Product description:

**WAYJUN** two wires 4-20mA temperature transmitters are widely used in Pt100/PT1000/PT10/Cu50/Cu100 temperature sensor isolated and transmit, in industry mainly used for measuring the temperature of -200 ~ +600 Deg.C. The transmitter has linear and long-term compensation, the factory in accordance with national standard Pt100 indexing table calibration, fully meets 0.2accuracy. Input, output, and auxiliary power supply is completely isolated (three isolation), can withstand 2500VDC isolation voltage. Products using international standards for rail mounting DIN35, small size, high precision, stable performance, cost-effective, can be widely used in petroleum, chemical, power, instrumentation and industrial control industries.

### Product Listing:

**WJ11 – G/F□ - Z□- T□**

Isolation/Non-isolation		Input: Z		Temperature Range: T	
	code	Z	code	T	code
Isolation	G	PT100	Z1	-20-100°C	T1
Non-isolation	F	PT10	Z2	0-100°C	T2
		Cu100	Z3	0-150°C	T3
		Cu50	Z4	0-200°C	T4
		Pt1000	Z5	0-400°C	T5
				User-defined	Tu

Samples:

signal Input: Pt100,temperature range:-20~100°C, Isolation ,two wires 4-20mA output

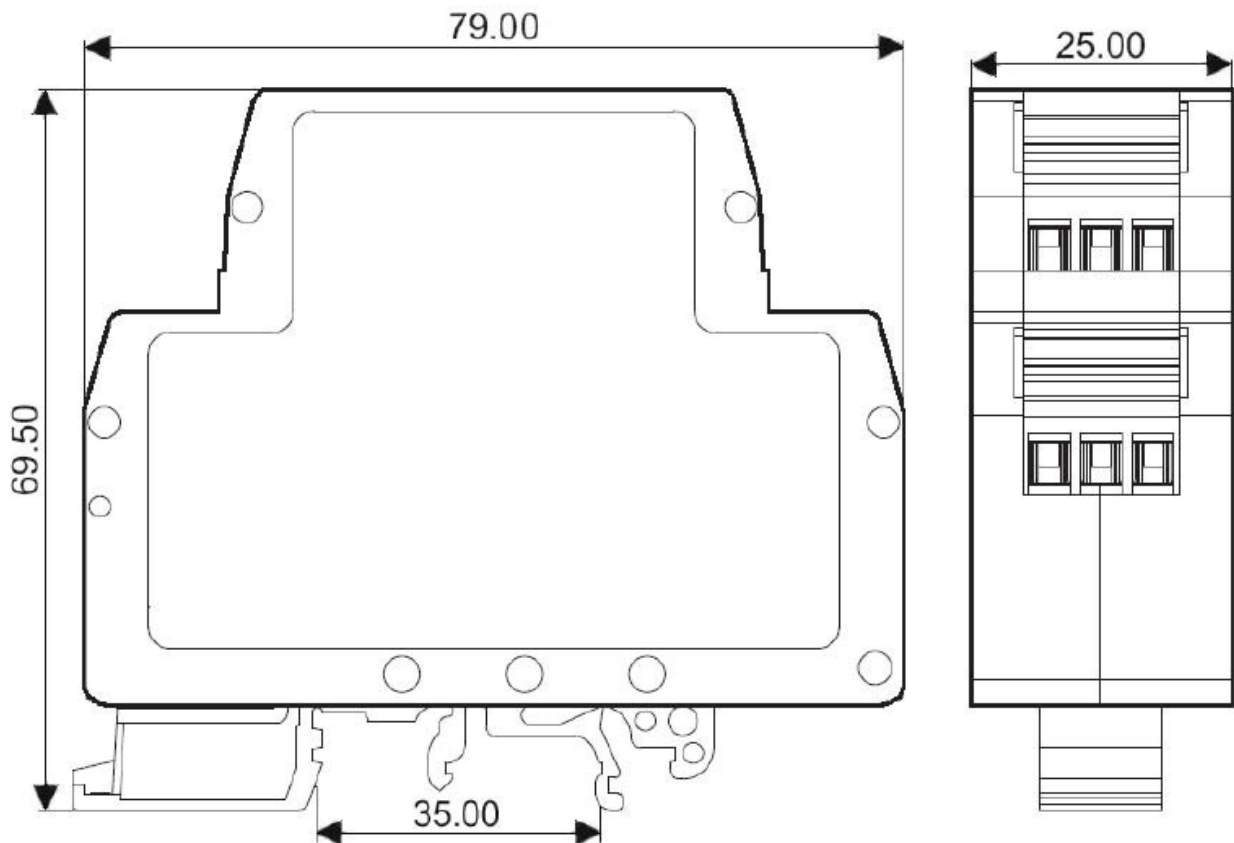
Part No.: **WJ11-G-Z1-T1**

signal Input: Pt1000,temperature range:0~200°C; Non-isolation, two wires 4-20mA output

Part No.: **WJ11-F-Z5-T4**



Size (unit:mm)

**Warranty**

Two years (but violate operating rules and requirements to create damage, clients need pay maintenance costs)

**Note:**

1. Before using, according to packing lists, and product labels, check the quantity, models and specifications
2. When measure the signal directly, please set the terminal tighten
3. There are no damaged insulation, conductive dust and corrosive fumes of metal in the environment
4. Installation pitch  $\geq 10\text{mm}$
5. We have adjusted well, do not adjust arbitrarily
6. Warranty: two years. But if clients damage products by themselves or tear off any labels on the product, we can not exchange
7. Products can not been used in strong magnetic field
8. Internal no anti-lightning circuit
9. Specifications subject to change without notice

**Copyright**

Copyright © 2012 **Shenzhen WAYJUN Industrial Automation**

Specifications subject to change without notice.

**Brand**

In this manual, mentioned other trademarks and copyright belongs to their respective owners.

\* Specifications subject to change without notice